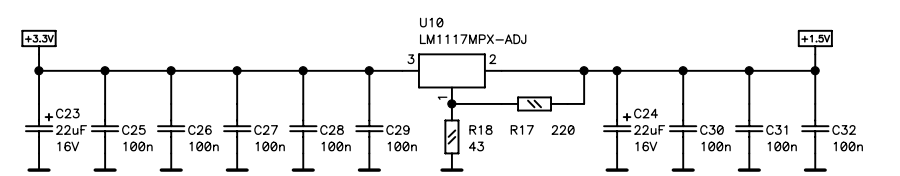
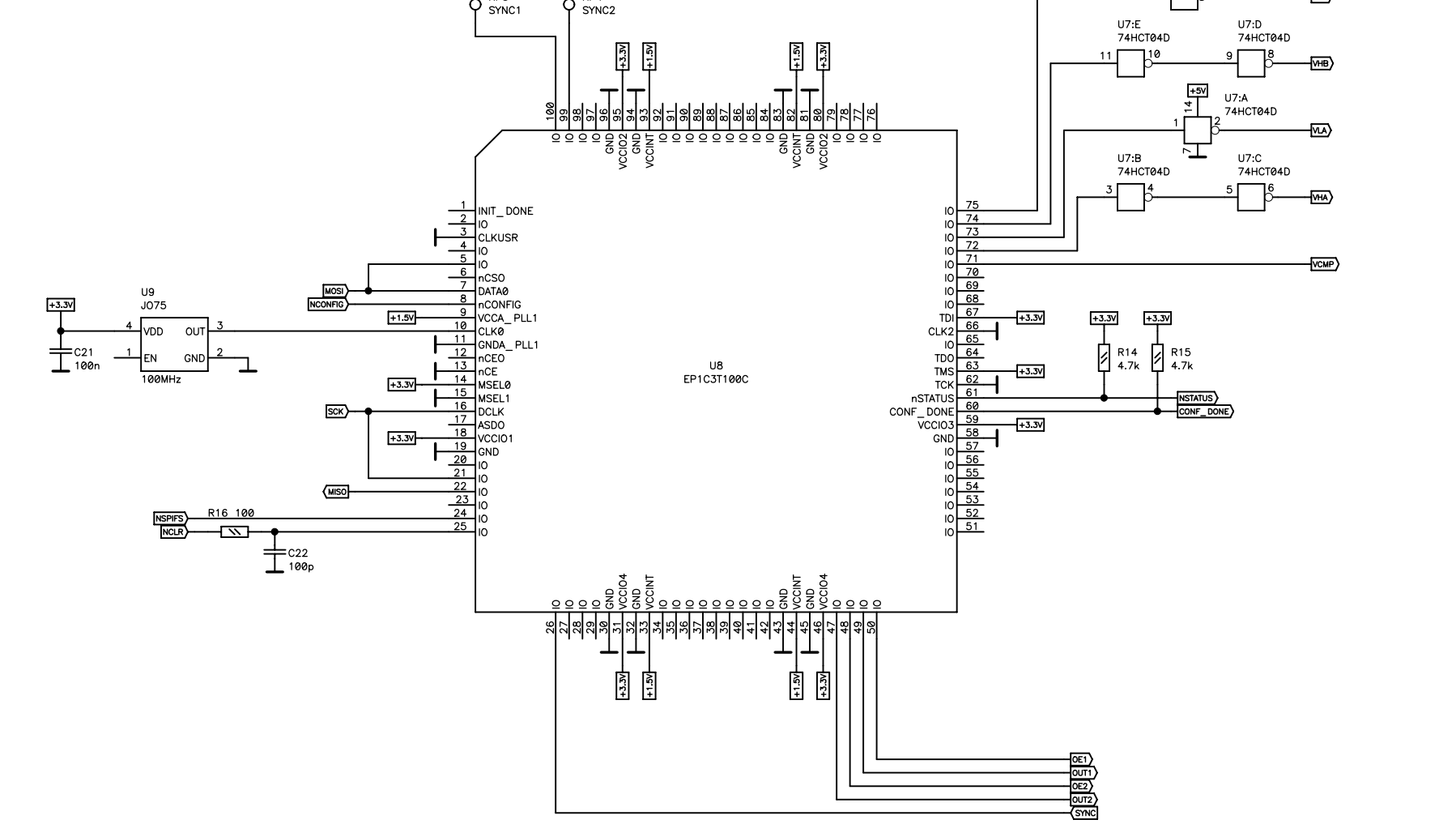


VCC	1
USBDM	2
USBDP	3
GND	4
SHIELD	5

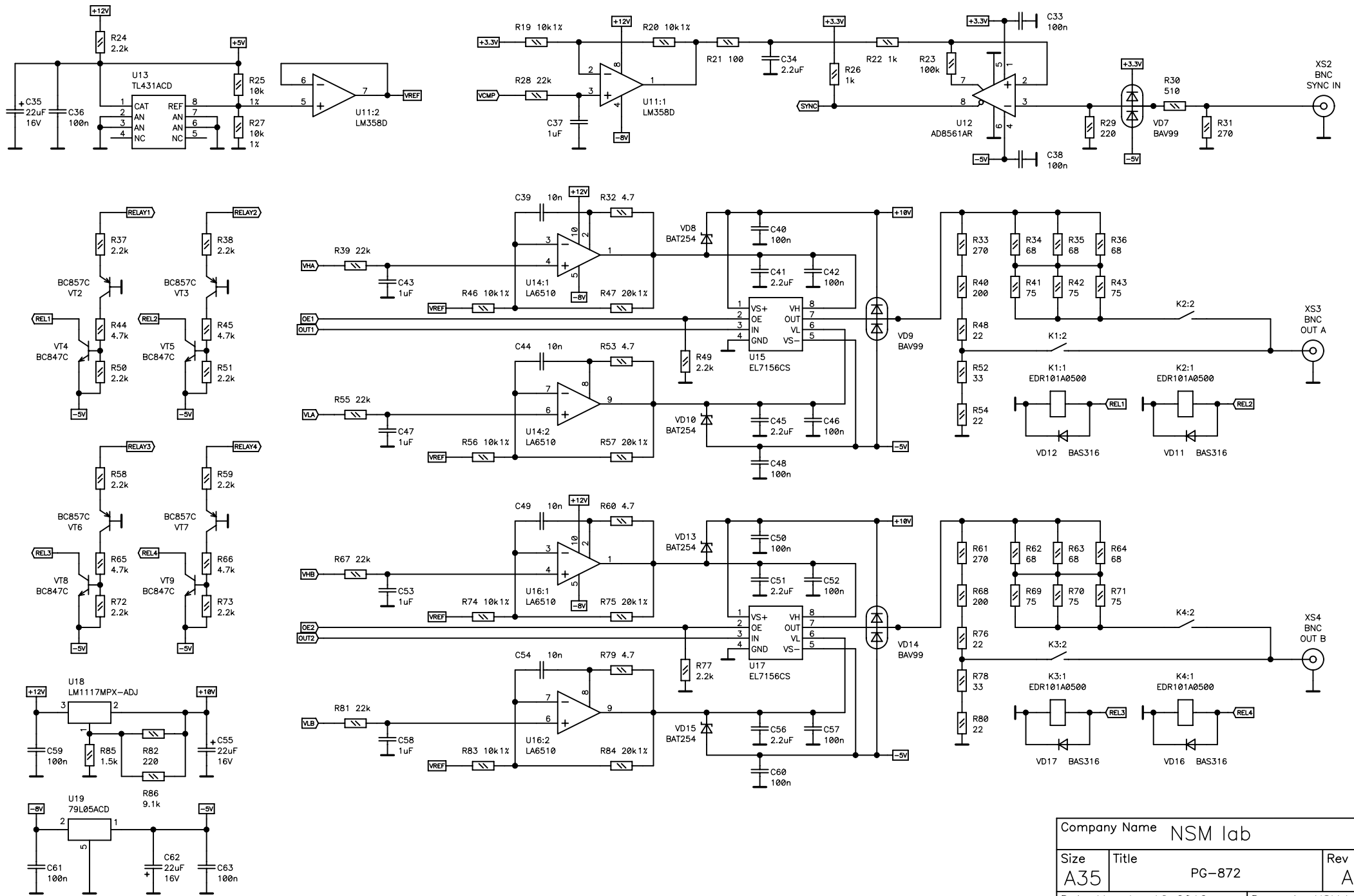
MISO	1
VCC	2
SCK	3
MOSI	4
RESET	5
GND	6

1	CATHODE
2	STEP
3	DOWN
4	UP
5	CHAN
6	EN-BT
7	EN-F1
8	EN-F2
9	RES
10	+3.3V
11	SDA
12	GND
13	SCL
14	ANODE

Company Name NSM lab		
Size A35	Title PG-872	Rev A
Date Mon Jan 16, 2012	Drawn by NSM lab	
Filename PG-872_Main.sch	Sheet 1 of 3	



Company Name NSM lab		
Size A35	Title PG-872	Rev A
Date Mon Jan 16, 2012	Drawn by NSM lab	
Filename PG-872_Main.sch	Sheet 2 of 3	



Company Name NSM lab		
Size A35	Title PG-872	Rev A
Date Mon Jan 16, 2012	Drawn by NSM lab	
Filename PG-872_Main.sch	Sheet 3 of 3	