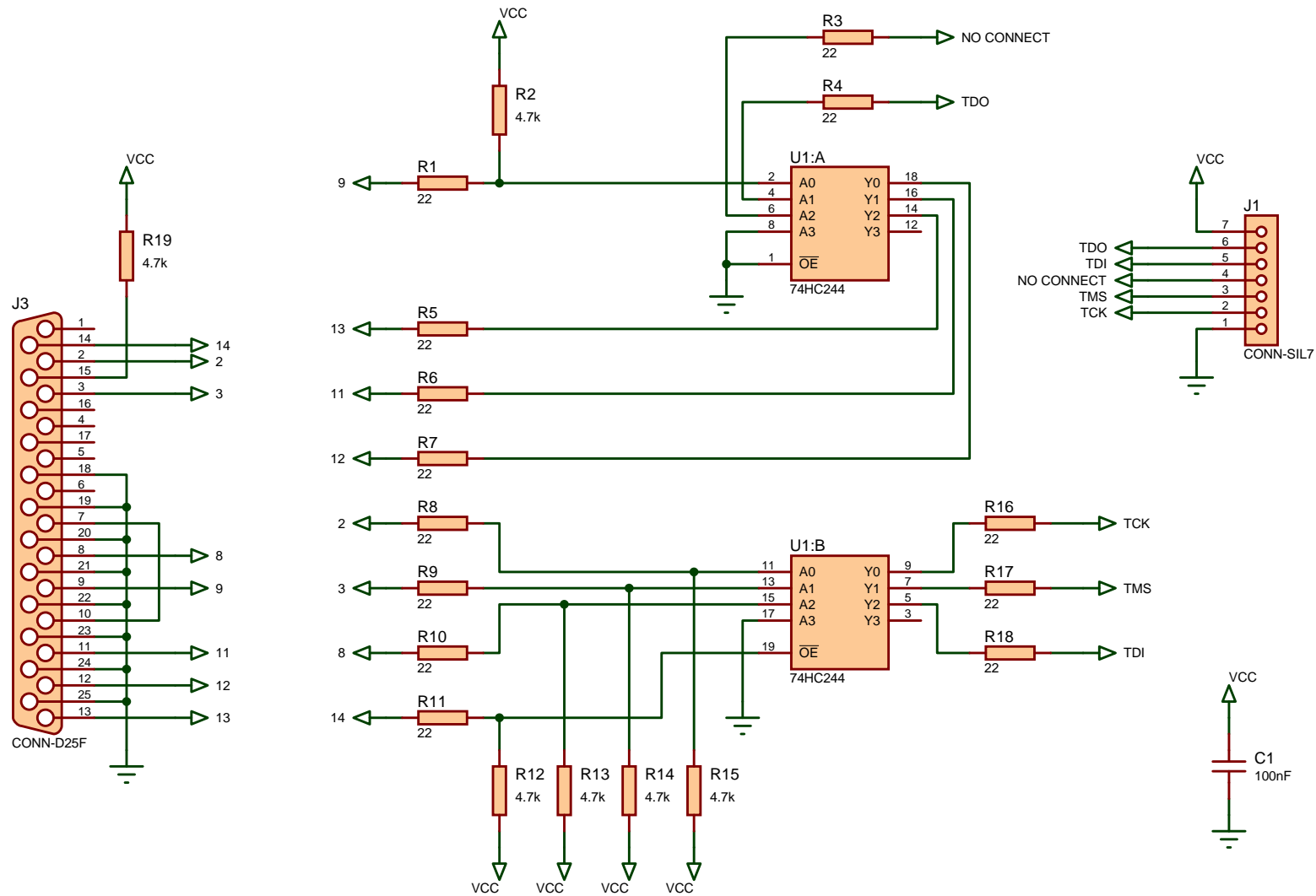


ByteBlasterMV



*PINOUT 74HC244

ELEMENTS=2
PINS=20

IP A0 = 2,11
IP A1 = 4,13
IP A2 = 6,15
IP A3 = 8,17
IP \$OE\$ = 1,19
TS Y0 = 18,9
TS Y1 = 16,7
TS Y2 = 14,5
TS Y3 = 12,3
PP (VCC) = 20
PP (GND) = 10

PINSWAP=A0,A1,A2,A3
GATESWAP=TRUE