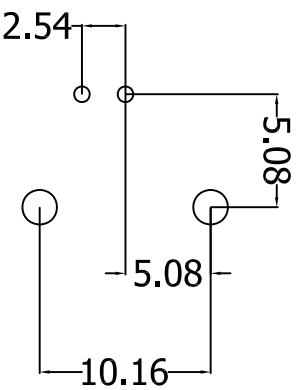
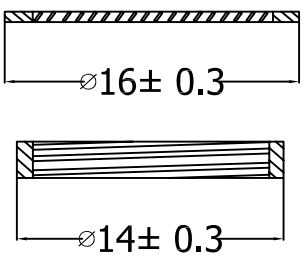
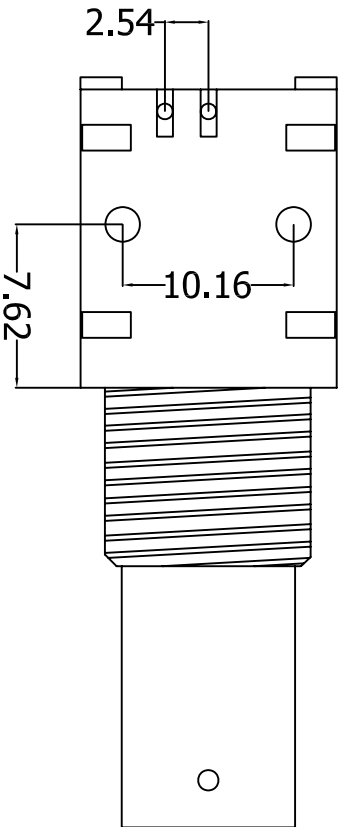


A
12.5
13.1
15.0



PCB HOLE

1.0	NEW DRAWING	2008/12/24	P/NO.: <b>NCB-0142A</b> CUSTOMER: NEW CENTRESS CUST. P/N.: GB-142A		<b>NEW CENTRESS</b> <b>INTERNATIONAL CO., LTD.</b>	
VER.NO.	DESCRIPTION	DATE	DRAWN, Christina	SHEET 1/1		
		2008/12/24	CHK, Carmen	DATE 2008/12/24	DES.: VERTICAL PCB BNC RECEPTACLE W/NUT & WASHER	VER 1.0
			APP, Eric	UNITS m/m		